



KUBOTA ZERO-TAIL SWING MINI-EXCAVATOR

U10-3



Ultra-compact. Enhanced operator protection.
The efficient and easy-to-use Kubota U10-3
with zero tail swing is the mini-excavator
you can count on to get the job done.



Kubota E-TVCS engine

Highly trusted in the compact excavator market, the efficient combustion created by our engine's unique Three Vortex Combustion System reduces exhaust emission, noise and vibration. Its layout also puts most components within easy reach for faster maintenance.



ROPS

For additional protection, a foldable rollover protective structure is standard-equipped on the U10-3. Folding the ROPS down lets you easily transport the mini excavator on lorries, and travel under doorways to work indoors.



Adjustable track gauge

With easy, single-lever operation, the U10-3's hydraulically adjustable track gauge reduces in seconds—down to 750 mm—to enable navigation in narrow spaces. Conversely, you can widen the track gauge all the way out to 990 mm to produce a 7% increase in stability, even while operating with hydraulic breakers.



With the simple removal of one pin, its quick-fold blade adjusts in size instantly.



When adjusted down to 750 mm, the U10-3 can easily fit through most doorways, permitting access inside of buildings.



Safer operation

To greatly reduce the risk of loose hoses from boom-mounted or hand-held attachments catching on nearby objects, the U10-3 has its hydraulic service port smartly located at the end of the boom.



Improved digging arm circuit

Increases the crowd speed, eliminates cavitation, and significantly improves control for fine grading.

Protected hydraulic service port

With the U10-3, you'll never add hydraulic service port pipes again—it comes equipped with them, all the way to the end of the boom. To reduce the risk of damaging the hydraulic piping, the U10-3's pipes are hidden inside the boom.



Hydraulic control system

Fitted with hydraulic servo controls, the U10-3's hydraulic control system means smoother operation, improved feel, and an increase in digging productivity of approximately 8%.

Two-speed travel pedal

This new pedal lets you easily switch between high and low speeds, so you can work at your own pace. Simply depress the pedal for high-speed travel, or release it for low speed. This feature makes travelling between on-site locations more efficient.



Two-piece design dozer hoses

When an on-site replacement of a dozer cylinder supply hose is necessary, its two-piece design simplifies the job.

KUBOTA ZERO-TAIL SWING MINI-EXCAVATOR

U10-3

Lifting points

To permit access to confined spaces, as well as easy transport, the U10-3 has a three-point lifting feature.

Protection

Notice the clean, hose-free look of the U10-3's boom? That is because all of its hydraulic hoses are uniquely hidden and protected inside the boom. In addition, the boom cylinder is well protected due to its location at the top of the boom.

Walk-through operator space

Open at both ends, the U10-3 allows for quick entry or exit from either side.

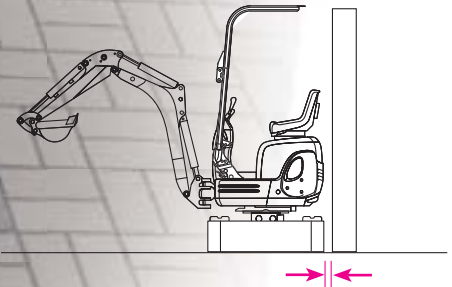
Fully opening engine cover

Fast access to most of the engine's components is made possible by the fully opening engine cover.



Zero tail swing

To operate at the highest level of safety, simply adjust track width to 990 mm. At this width, the rear counterweight will always be within the width of the track frame. This prevents any damage from occurring to the engine cover—allowing the operator to focus more on the job at hand.

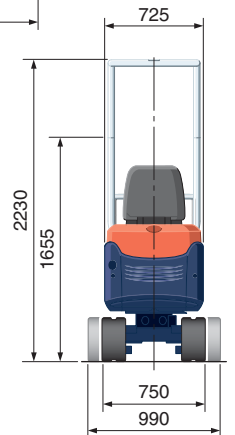
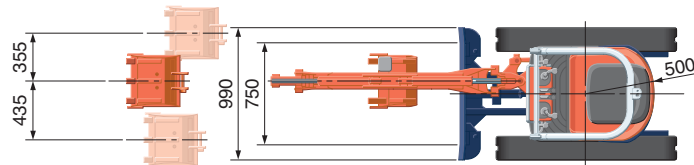
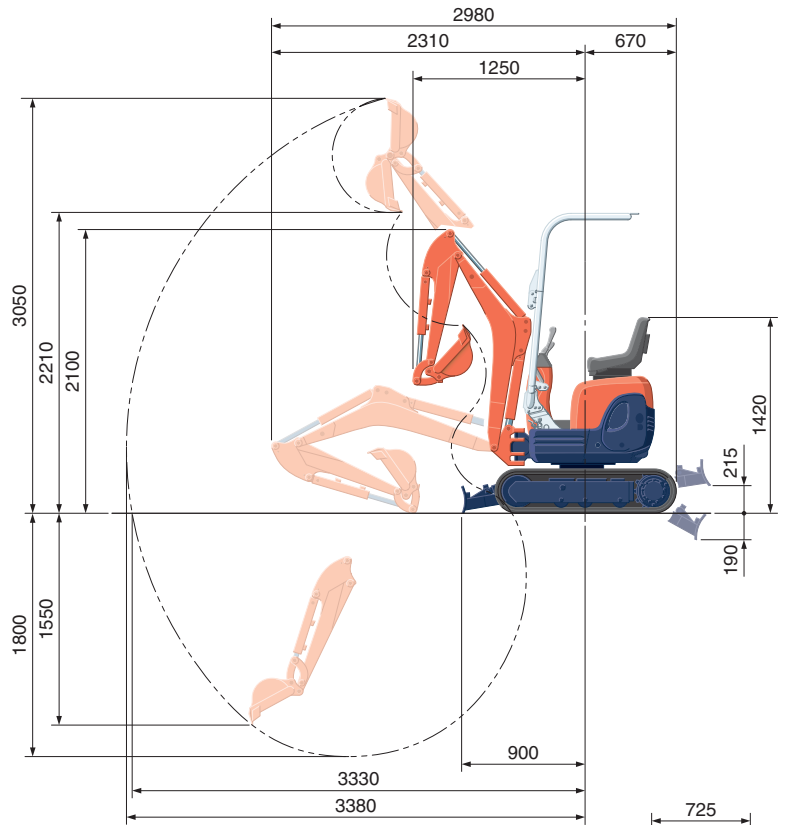


SPECIFICATIONS

WORKING RANGE

*with rubber shoe type

Machine weight	Rubber crawler	kg	1 120	
Bucket capacity, std. SAE/CECE		m ³	0.024/0.020	
Bucket width	with side teeth	mm	398	
	without side teeth	mm	380	
Engine	Model	D722-BH-6		
	Type	Water-cooled, diesel engine E-TVCS (Economical, ecological type)		
	Output ISO90249	PS/rpm	10.2/2050	
		kW/rpm	7.4/2050	
	Number of cylinders	3		
	Bore × stroke	mm	67 × 68	
Displacement	cc	719		
Overall length	mm	2980		
Overall height	mm	2230		
Swivelling speed	rpm	8.3		
Rubber shoe width	mm	180		
Tumbler distance	mm	1010		
Dozer size (width × height)	mm	750/990 × 200		
Hydraulic pumps	P1, P2	Gear pump		
	Flow rate	ℓ/min	10.5 + 10.5	
	Hydraulic pressure	MPa (kgf/cm ²)	17.6 (180)	
	P3	Gear pump		
	Flow rate	ℓ/min	3.1	
	Hydraulic pressure	MPa (kgf/cm ²)	2.9 (30)	
Max. digging force	Arm	kN (kgf)	5.4 (550)	
	Bucket	kN (kgf)	10.4 (1060)	
Boom swing angle (left/right)	deg	55/55		
Auxiliary circuit	Flow rate	ℓ/min	21.0	
	Hydraulic pressure	MPa (kgf/cm ²)	180	
Hydraulic reservoir	ℓ	12.5		
Fuel tank capacity	ℓ	12.0		
Max. travelling speed (high/low)	km/h	2.0/4.0		
Ground contact pressure	kPa (kgf/cm ²)	25.3 (0.26)		
Ground clearance	mm	140		



Unit: mm

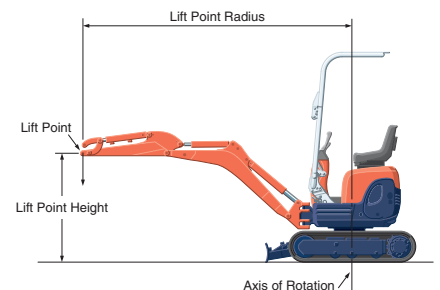
LIFTING CAPACITY

Lift Point Height	kN (ton)								
	Lifting point radius (1.5m)			Lifting point radius (2m)			Lifting point radius (2.5m)		
	Over-front		Over-side	Over-front		Over-side	Over-front		Over-side
Blade Down	Blade Up	Blade Down		Blade Up	Blade Down		Blade Up		
2.0 m	-	-	-	2.1 (0.21)	2.1 (0.21)	1.9 (0.19)	-	-	-
1.0 m	3.6 (0.37)	3.2 (0.33)	2.7 (0.28)	2.7 (0.28)	2.0 (0.21)	1.7 (0.18)	2.2 (0.23)	1.4 (0.15)	1.2 (0.13)
0 m	4.8 (0.49)	2.8 (0.28)	2.3 (0.24)	3.1 (0.32)	1.8 (0.19)	1.6 (0.16)	2.2 (0.23)	1.4 (0.14)	1.1 (0.12)
-1.0 m	3.1 (0.31)	2.8 (0.28)	2.3 (0.24)	2.1 (0.21)	1.8 (0.18)	1.5 (0.16)	-	-	-

Please note:

* The lifting capacities are based on ISO 10567 and do not exceed 75% of the static tilt load of the machine or 87% of the hydraulic lifting capacity of the machine.

* The excavator bucket, hook, sling and other lifting accessories are not included on this table.



* Working ranges are with Kubota standard bucket, without quick coupler.

* Specifications are subject to change without notice for purpose of improvement.

KUBOTA (U.K.) LTD

Dormer Road, Thame, Oxfordshire,
OX93UN, U.K.

Phone : 01844-268140

Fax : 01844-216685

90060134 UK-DEU



via Arcevese, 44
60010 Casine di Ostra, Italy
T +39 071 688771
F +39 071 68858
export@messersi.it
www.messersi.it

AGENZIA
SENZAPOMI

Tracked carriers
Raupentransporter

UTILITY LINE

TC45
TC50
TC50d
TC80
TC85
TC85d



 **MESSERSI** spa

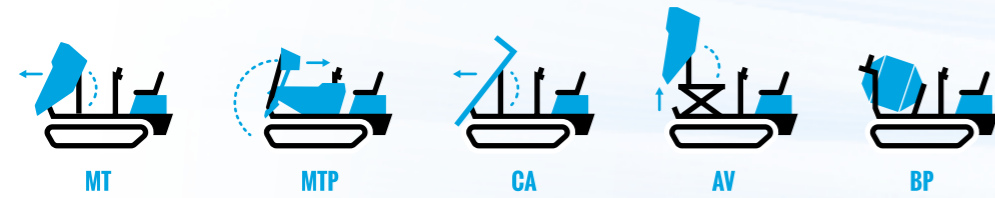
 **MESSERSI** spa

general features allgemeine eigenschaften

Rubber tracked carrier, with hydraulic transmission controlled by manual levers with three gear pumps and fixed displacement orbital engines. Steering throughout independent rotation of the tracks. Innovative and patented cooling system by forced air.

Raupentransporter mit hydraulischem Getriebe, ausrüstbar mit austauschbaren Aufbauten für unterschiedliche Einsatzzwecke. Hydraulisches Getriebe, handgesteuert, mit dreifacher Zahnradpumpe und Orbitalmotoren mit fixem Hubraum. Lenkung durch unabhängige Drehung der Raupenketten. Das innovative und patentierte Kühlungssystem durch Zuluft ersetzt den herkömmlichen Kühler.

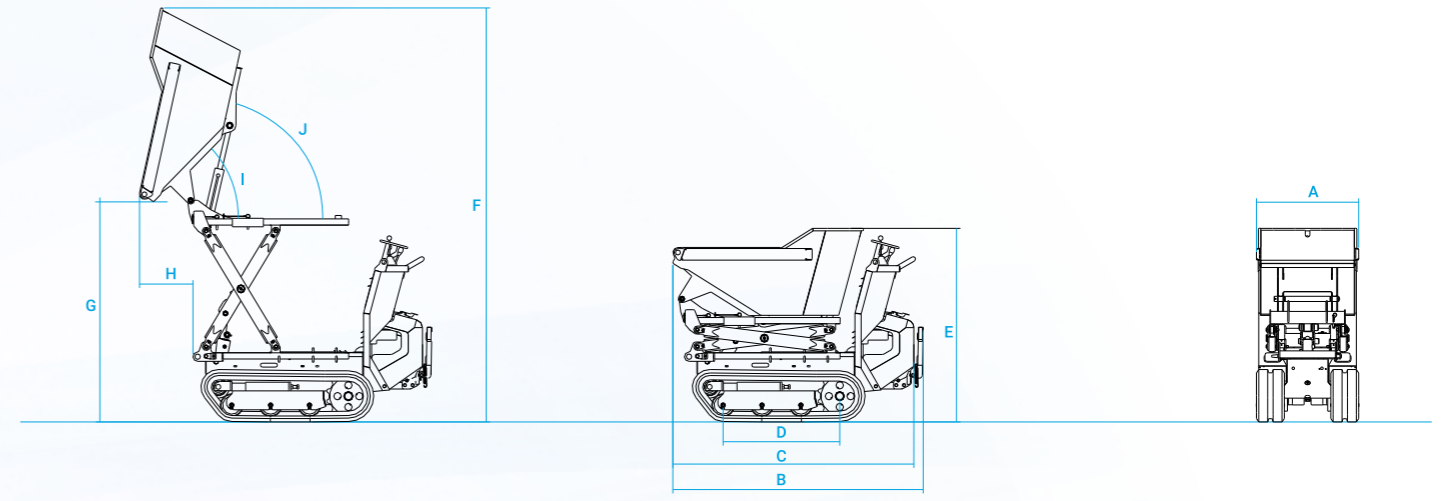
2nd travel speed operated by a lever on the hydraulic distributor. Operational double effect P.T.O. (not available in TC45, TC50 and TC50d version) with a delivery of max. 20 lt/min and pressure 150 bar. Other flows/pressures are also available on specific demand. Tracked undercarriage suitable for different specific applications. Die zweite Bewegungsgeschwindigkeit kann durch den dazu bestimmten Hebel auf dem öldynamischen Verteiler betätigt werden. Zapfwelle mit Einfachem - und Doppelleffekt, Option (nicht verfügbar beim TC45, TC50 und TC50d) geeignet für den Anschluss von zusätzlichem Zubehör mit Förderleistung max 20 lt/min und Druck 150 bar. Auf Anfrage verschiedene Nutzlasten und hydraulische drücke verfügbar. Raupenunterwagen für verschiedene Zwecke anwendbar.



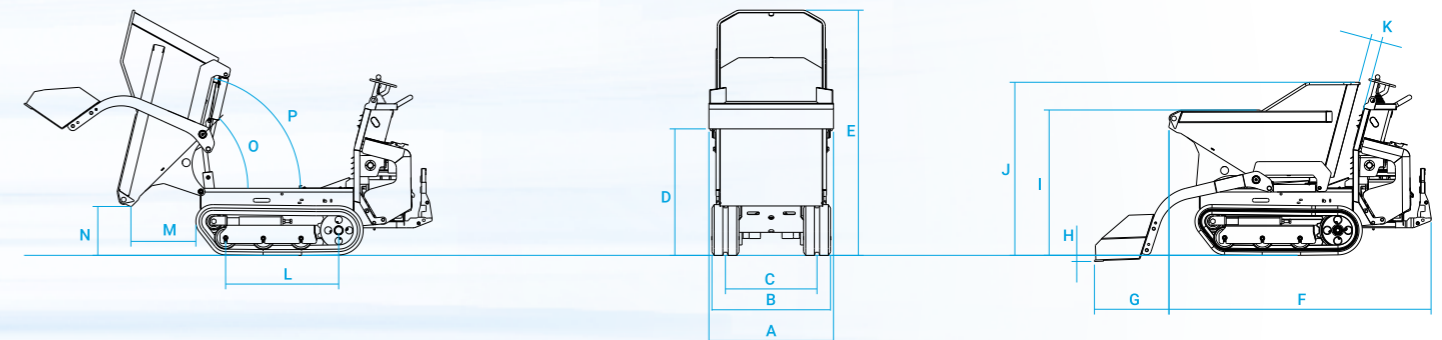
technical data technische daten

		MT - MTP						CA						AV					
		TC45	TC50	TC50d	TC80	TC85	TC85d	TC45	TC50	TC50d	TC80	TC85	TC85d	TC45	TC50	TC50d	TC80	TC85	TC85d
Skip capacity Muldeninhalt	m³	0,30	0,30	0,30	0,38	0,38	0,38	0,22	0,22	0,22	0,30	0,30	0,30	0,27	0,27	0,27	0,43	0,43	0,43
- heaped gehäuft * SAE Standard	m³	0,26	0,26	0,26	0,32	0,32	0,32	0,18	0,18	0,18	0,28	0,28	0,28	0,23	0,23	0,23	0,37	0,37	0,37
- struck flach * SAE Standard	m³	0,18	0,18	0,18	0,12	0,12	0,12	-	-	-	-	-	-	0,16	0,16	0,16	0,34	0,34	0,34
		TC45		TC50		TC50d		TC80		TC85d		TC85							
Operational weight with shovel without operator	kg	360		360		380		490		560		540							
Eigengewicht mit Schaufel ohne Bediener	kg	360		360		380		490		560		540							
Max payload undercarriage	kg	500		500		500		800		850		850							
Max Nutzlast Unterwagen	kg	500		500		500		800		850		850							
Engine type - Air cooling		Petrol Benzin		Petrol Benzin		Diesel Benzin		Petrol Benzin		Diesel Benzin		Petrol Benzin							
Motot typ - Luft Kühlung		Briggs & Stratton 750		Honda GX200		Yanmar L70N6		Honda GX270		Yanmar L100N6		Honda GX390							
Max. Power	cv/kW	5.5/4		4.8/6.5		6.6/4.9		9/6.6		10/7.4		13/9.6							
Max. Leistung	PS/kW	5.5/4		4.8/6.5		6.6/4.9		9/6.6		10/7.4		13/9.6							
Cylinder/Displacement	n/m³	1/163		1/196		1/320		1/270		1/406		1/389							
Zylinder/Hubraum		1/163		1/196		1/320		1/270		1/406		1/389							
Hydraulic system:		2x12.5 lt/min@ 190 bar		2x12.5 lt/min@ 190 bar		2x12.5 lt/min@ 190 bar		2x20.5 lt/min@ 175 bar		2x20.5 lt/min@ 175 bar		2x20.5 lt/min@ 175 bar							
3 Gears pumps		1x14 lt/min@ 135 bar		1x14 lt/min@ 135 bar		1x19 lt/min@ 135 bar		1x20 lt/min@ 150 bar		1x20 lt/min@ 150 bar		1x20 lt/min@ 150 bar							
Hydraulischesystem:		1x14 lt/min@ 135 bar		1x14 lt/min@ 135 bar		1x19 lt/min@ 135 bar		1x20 lt/min@ 150 bar		1x20 lt/min@ 150 bar		1x20 lt/min@ 150 bar							
3 Zahnradpumpe		1x14 lt/min@ 135 bar		1x14 lt/min@ 135 bar		1x19 lt/min@ 135 bar		1x20 lt/min@ 150 bar		1x20 lt/min@ 150 bar		1x20 lt/min@ 150 bar							
N. 2 speeds I/II	Km/h	0-1.8/0-3.9		0-1.8/0-3.9		0-1.6/0-5.2		0-2.1/0-4.2		0-2.1/0-4.2		0-2.1/0-4.2							
N. 2 Fahrgeschwindigkeiten I/II		0-1.8/0-3.9		0-1.8/0-3.9		0-1.6/0-5.2		0-2.1/0-4.2		0-2.1/0-4.2		0-2.1/0-4.2							
Specific ground pressure: empty/loaded	kg/cm²	0.118/0.254		0.118/0.254		0.151/0.240		0.166/0.335		0.190/0.360		0.181/0.350							
Bodendruck: im Leerzustand/baladen	kg/cm²	0.118/0.254		0.118/0.254		0.151/0.240		0.166/0.335		0.190/0.360		0.181/0.350							
Max.gradient capability with operational loading	%	30		30		30		30		30		30							
Max. befahrbare Steigung mit Betriebslast	%	30		30		30		30		30		30							
Fuel tank capacity	lt	3,6		3,6		3,3		6		5,5		6,5							
Kraftstofftank	lt	3,6		3,6		3,3		6		5,5		6,5							
Hydraulic oil tank capacity	lt	18		18		18		22		30		30							
Hydraulölkölkant	lt	18		18		18		22		30		30							

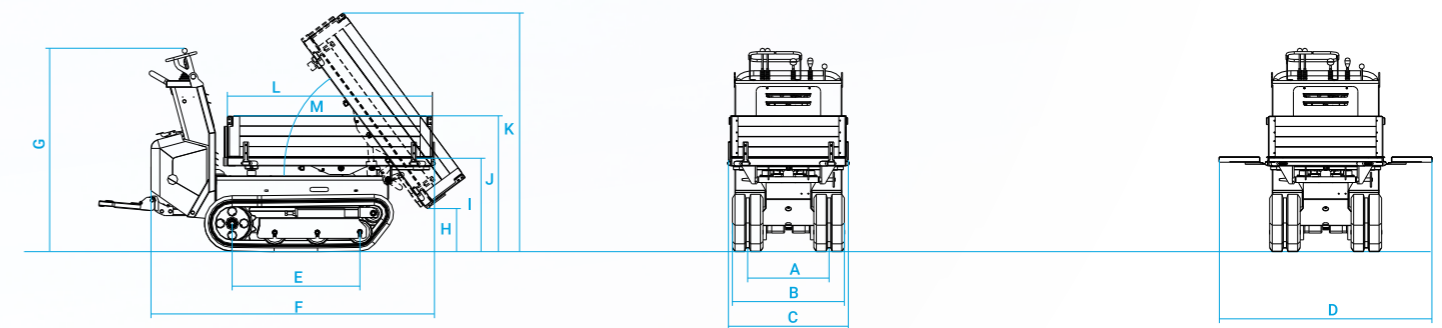
overall dimensions in mm abmessungen mm



AV	A	B	C	D	E	F	G	H	I	J
TC50	660	1616	1555	753	1249	2671	1423	345	46°	78°
TC50d	660	1616	1555	753	1249	2671	1423	345	46°	78°
TC85d	790	1762	1701	753	1249	2671	1423	345	46°	78°



MT - MTP	A	B	C	D	E	F	G	H	I	J	K	L	M	N	O	P
TC45	700	660	480	842	1631	1600	497	41	967	1153	73	753	432	325	45°	76°
TC50	700	660	480	842	1631	1600	497	41	967	1153	73	753	432	325	45°	76°
TC50d	700	660	480	842	1631	1600	497	41	967	1153	73	753	432	325	45°	76°
TC80	830	790	610	842	1633	1746	496	41	967	1152	75	753	432	325	45°	76°
TC85d	830	790	610	842	1633	1746	496	41	967	1152	75	753	432	325	45°	76°
TC85	830	790	610	842	1633	1746	496	41	967	1152	75	753	432	325	45°	76°



CA	A	B	C	D	E	F	G	H	I	J	K	L	M
TC45	480	660	707	1254	753	1670	1180	225	550	800	1400	1210	53°
TC50	480	660	707	1254	753	1670	1180	225	550	800	1400	1210	53°
TC50d	480	660	707	1254	753	1670	1180	225	550	800	1400	1210	53°
TC80	610	790	840	1390	753	1720	1180	225	550	800	1400	1230	53°
TC85d	610	790	840	1390	753	1720	1180	225	550	800	1400	1230	53°
TC85	610	790	840	1390	753	1720	1180	225	550	800	1400	1230	53°

Data, features and pictures are not binding and may be altered without any prior notice. Änderungen ohne Ankündigung vorbehalten, Angaben ohne Gewähr.