

Kubota

For Earth, For Life

KX016-4

KUBOTA MINI EXCAVATOR



SUPERIOR PERFORMANCE

Kubota's new KX016-4 mini excavator raises the standard in the 1.5-2.0 tonne category with a powerful digging force and a wider working range that rival higher-end excavators. And with enhanced accessibility to sites such as roadsides or residential areas, the KX016-4 gets the jobs done easier from large construction areas to the tightest of places.



SUPERIOR PERFORMANCE



Enhanced digging force

The KX016-4 delivers an impressive bucket digging force. Its powerful and well-balanced arm and bucket allow the operator to dig faster and more efficiently even in the toughest conditions.

Kubota original engine

The KX016-4 is powered by Kubota's impressive D782 13 PS engine. Engineered with the power to maximise digging and lifting performance, it also delivers minimised noise and vibration, meeting all current engine emission regulations.



Variable track gauge

To optimise stability when using heavy attachments, the KX016-4 tracks can be expanded to a maximum of 1,240mm and retracted to 990mm to make passing through narrow doorways and tight work possible. Either adjustment can be made in just seconds by operating the independent track gauge lever.



DELUXE INTERIOR

Offering one of the largest cabins in its class with ample legroom, adjustable seating and a wide door, the KX016-4 brings more comfort to tough work. Combined with the handy new multifunctional digital panel, operations are now easier than ever.



DELUXE INTERIOR



Spacious cabin

To minimise fatigue, our new larger cabin delivers more comfort over our previous model. It provides more legroom with a flat floor plus an adjustable suspension seat.

Easy cabin entry and exit

Increasing the cabin door width by 30% at the narrowest point allows quick access to and from the cabin making operations that require frequent exiting, such as trenching and piping, much easier.



New digital panel

Following the excellence of Kubota's Intelligent Control System, the new digital panel puts convenience at the operator's fingertips. The user-friendly digital panel is positioned to the front right corner of the operator for better visibility, and features one-touch button operation to view the time, hour meter and tachometer. Warning lamps with code numbers on the display will alert you in case of emergencies such as overheating, hydraulic problems or low battery. Programming of the anti-theft keys can also be easily performed with the digital panel.

With easier access, simpler settings, easy-to-read indicators and alerts, you'll always be aware of the excavator's functioning status.



SAFETY/DURABILITY EASY MAINTENANCE

The KX016-4 offers added peace-of-mind with extremely high levels of safety and durability. Furthermore, Kubota simplifies inspections and repairs with easier accessibility to the major components.

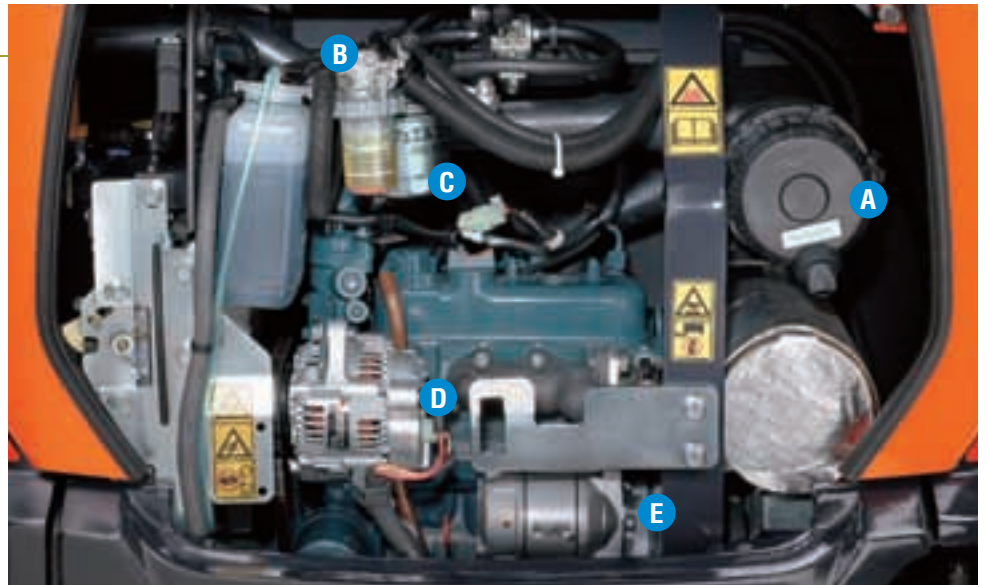


SAFETY/DURABILITY/ EASY MAINTENANCE

Easy maintenance

Kubota has made routine maintenance extremely simple by consolidating primary engine components onto one side for easier access. Engine and other vital components can be inspected quickly and easily.

- A. Air cleaner**
- B. Water separator**
- C. Fuel filter**
- D. Alternator**
- E. Starter motor**



Topside boom cylinder

For increased reliability when performing in hazardous conditions, including demolition jobs when a breaker is fitted, the boom cylinder has been positioned on the topside of the boom to prevent cylinder damage.



Integrated travel motor hoses

Kubota has enclosed the travel motor hoses within the track frame for added protection.



Standard Equipment

Engine/Fuel system

- Double-element air cleaner
- Fuel refueling buzzer
- Extended fuel filler

Undercarriage

- 230 mm rubber track
- 2-speed travel
- Variable track

Hydraulic system

- Pressure accumulator
- Hydraulic pressure checking ports
- Third line hydraulic direct return for AUX
- Variable displacement pump
- Straight travel circuit

Safety system

- Engine start safety system on the left console
- Travel lock system
- Swivel lock system

- Kubota original anti-theft system
- Battery isolator



Working equipment

- 950 mm arm
- Auxiliary hydraulic circuit piping to the arm's end
- 1 working light on the boom

Cabin

- ROPS (Roll-over Protective Structure, ISO3471)
- TOPS (Tip-Over Protective Structure)
- OPG (Operator Protective Guard, Level 1)
- Weight-adjustable semi suspension seat
- Seatbelt
- Hydraulic pilot control levers with wrist rests
- Cabin heater for defrosting and demisting with air ventilation
- Emergency exit hammer
- Front window power-assisted with gas damper
- 12V power outlet
- Location for radio
- Switch and harness for beacon light

- Digital panel with diagnosis function
- Front guard fixing point
- Side mirror

Canopy

- ROPS (Roll-over Protective Structure, ISO3471)
- TOPS (Tip-Over Protective Structure)
- OPG (Operator Protective Guard, Level 1)
- Weight-adjustable semi suspension seat
- Seatbelt
- Hydraulic pilot control levers with wrist rests
- 12V power outlet
- Switch and harness for beacon light
- Digital panel with diagnosis function
- Front guard fixing point

Optional Equipment

- Radio installation kit on the cabin (Radio bracket, antenna, 2 speakers)
- 2 working lights on the cabin/canopy
- Travel pedal
- Front guard on the cabin/canopy

SPECIFICATIONS

*With rubber shoe type

Model		KX016-4		
Machine weight	Cabin / Canopy	kg	1540 / 1490	
Operating weight	Cabin / Canopy	kg	1615 / 1565	
Bucket capacity, std. SAE/CECE		m ³	0.035	
Bucket width	With side teeth	mm	422	
	Without side teeth	mm	402	
Engine	Model		D782-BH	
	Type		Water-cooled, diesel engine E-TVCS	
	Output ISO9249	PS/rpm	13 / 2300	
		kW/rpm	9.6 / 2300	
	Number of cylinders		3	
	Bore x Stroke		mm	67 x 73.6
Displacement		cc	778	
Overall length		mm	3710	
Overall height	Cabin	mm	2350	
	Canopy	mm	2330	
Swivelling speed		rpm	9.1	
Rubber shoe width		mm	230	
Tumbler distance		mm	1090	
Dozer size (width x height)		mm	990 / 1240 x 230	
Hydraulic pumps	P1, P2		Variable displacement pump	
	Flow rate	ℓ/min	16.6	
	Hydraulic pressure	MPa (kgf/cm ²)	20.6 (210)	
	P3		Gear Type	
	Flow rate	ℓ/min	10.4	
		Hydraulic pressure	MPa (kgf/cm ²)	20.1 (205)
Max. digging force	Arm	kN (kgf)	7.3 (740)	
	Bucket	kN (kgf)	12.7 (1300)	
Boom swing angle (left/right)		deg	75 / 60	
Auxiliary circuit	Flow rate	ℓ/min	27	
	Hydraulic pressure	MPa (kgf/cm ²)	20.6 (210)	
Hydraulic reservoir		ℓ	28	
Fuel tank capacity		ℓ	21	
Max. travelling speed	Low	km/h	2.1	
	High	km/h	3.8	
Ground contact pressure	Cabin	kPa (kgf/cm ²)	26.5 (0.27)	
	Canopy	kPa (kgf/cm ²)	25.5 (0.26)	
Ground clearance		mm	160	

*Machine weight: with 35kg standard bucket and fully served

*Operating weight: with 75kg operator, 35kg standard bucket and fully served

LIFTING CAPACITY

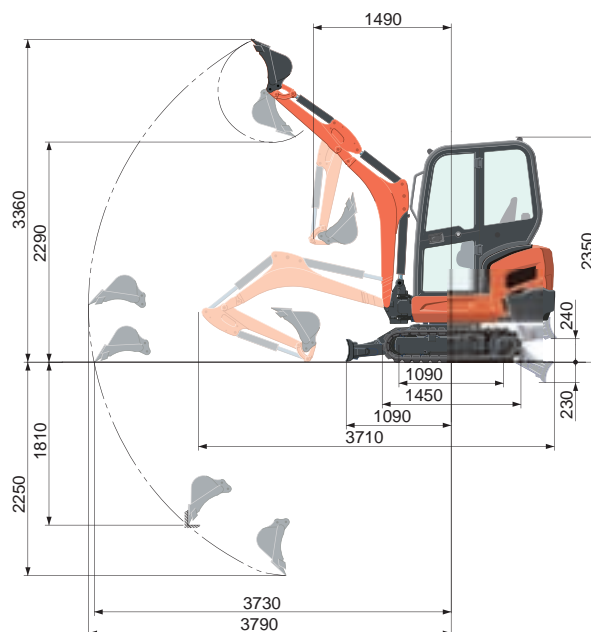
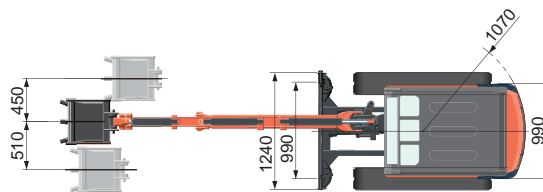
Cabin, Rubber version

Lift Point Height	Lifting point radius (2m)			Lifting point radius (max.)		
	Over-front		Over-side	Over-front		Over-side
	Blade Down	Blade UP		Blade Down	Blade UP	
1.5m	3.0 (0.30)	3.4 (0.35)	3.4 (0.35)	-	-	-
1.0m	4.5 (0.46)	3.6 (0.37)	3.5 (0.36)	-	-	-
0.5m	5.4 (0.55)	3.4 (0.34)	3.3 (0.34)	2.6 (0.27)	1.7 (0.17)	1.7 (0.17)
0m	5.3 (0.54)	3.2 (0.33)	3.2 (0.33)	-	-	-

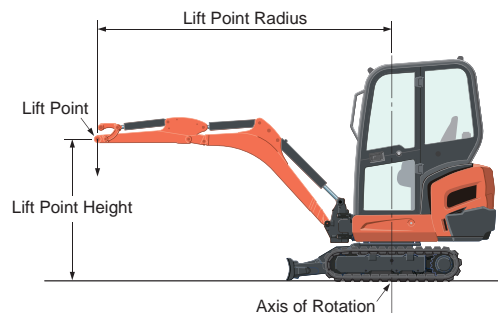
*The lifting capacities are based on ISO 10567 and do not exceed 75% of the static tilt load of the machine or 87% of the hydraulic lifting capacities of the machine.

**The excavator bucket, hook, sling and other lifting accessories are not included on this table.

WORKING RANGE



950 mm arm
Unit: mm



* Working ranges are with Kubota standard bucket, without quick coupler.

* Specifications are subject to change without notice for purpose of improvement.

★ All images shown are for brochure purposes only.

When operating the excavator, wear clothing and equipment in accordance to local legal and safety regulations.

KUBOTA EUROPE S.A.S.

19 à 25, Rue Jules - Vercruyse -
Zone Industrielle - B.P. 50088
95101 Argenteuil Cedex France
Téléphone : (33) 01 34 26 34 34
Télécopieur : (33) 01 34 26 34 99

KUBOTA (U.K.) LTD

Dormer Road, Thame, Oxfordshire,
OX93UN, U.K.
Phone : 01844-268140
F a x : 01844-216685

KUBOTA Baumaschinen GmbH

Steinhauser Straße 100
D-66482 Zweibrücken Germany
Telefon : (49) 0 63 32 - 487 - 312
F a x : (49) 0 63 32 - 487 - 101

90060134 UK-DEU



via Arcevese, 44
60010 Casine di Ostra, Italy
T +39 071 688771
F +39 071 68858
export@messersi.it
www.messersi.it

AGENZIA
SENZAPOME

Tracked carriers
Raupentransporter

UTILITY LINE

TC45
TC50
TC50d
TC80
TC85
TC85d



 **MESSERSI** spa

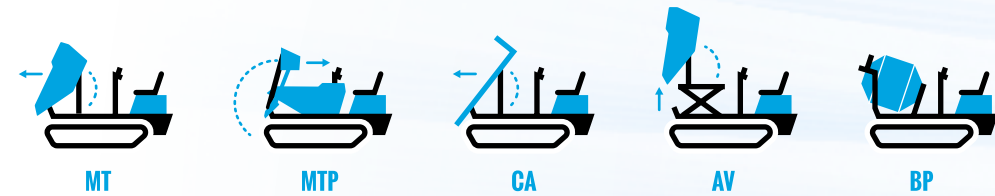
 **MESSERSI** spa

general features allgemeine eigenschaften

Rubber tracked carrier, with hydraulic transmission controlled by manual levers with three gear pumps and fixed displacement orbital engines. Steering throughout independent rotation of the tracks. Innovative and patented cooling system by forced air.

Raupentransporter mit hydraulischem Getriebe, ausrüstbar mit austauschbaren Aufbauten für unterschiedliche Einsatzzwecke. Hydraulisches Getriebe, handgesteuert, mit dreifacher Zahnradpumpe und Orbitalmotoren mit fixem Hubraum. Lenkung durch unabhängige Drehung der Raupenketten. Das innovative und patentierte Kühlsystem durch Zuluft ersetzt den herkömmlichen Kühler.

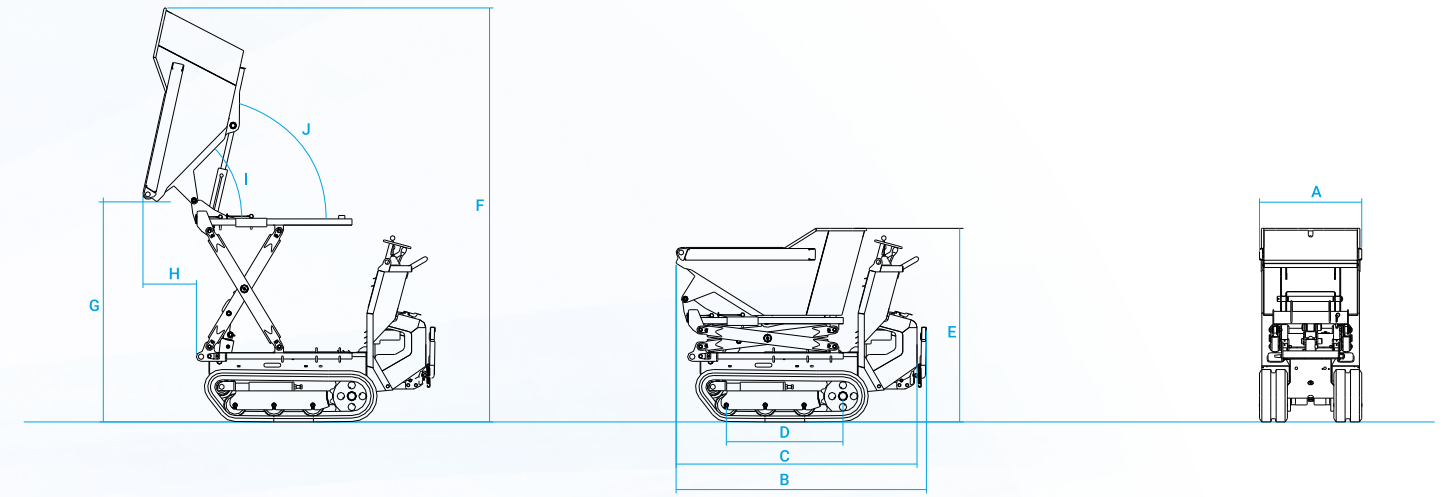
2nd travel speed operated by a lever on the hydraulic distributor. Operational double effect P.T.O. (not available in TC45, TC50 and TC50d version) with a delivery of max. 20 lt/min and pressure 150 bar. Other flows/pressures are also available on specific demand. Tracked undercarriage suitable for different specific applications. Die zweite Bewegungsgeschwindigkeit kann durch den dazu bestimmten Hebel auf dem öldynamischen Verteiler betätigt werden. Zapfwelle mit Einfachem - und Doppelleffekt, Option (nicht verfügbar beim TC45, TC50 und TC50d) geeignet für den Anschluss von zusätzlichem Zubehör mit Förderleistung max 20 lt/min und Druck 150 bar. Auf Anfrage verschiedene Nutzlasten und hydraulische drücke verfügbar. Raupenunterwagen für verschiedene Zwecke anwendbar.



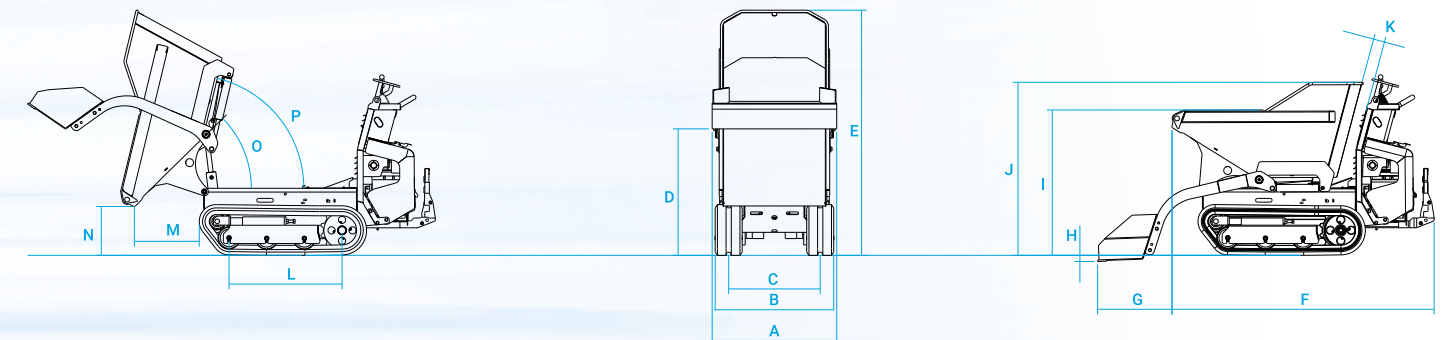
technical data technische daten

		MT - MTP						CA						AV					
		TC45	TC50	TC50d	TC80	TC85	TC85d	TC45	TC50	TC50d	TC80	TC85	TC85d	TC45	TC50	TC50d	TC80	TC85	TC85d
Skip capacity Muldeninhalt	m³	0,30	0,30	0,30	0,38	0,38	0,38	0,22	0,22	0,22	0,30	0,30	0,30	0,27	0,27	0,27	0,43	0,43	0,43
- heaped gehäuft * SAE Standard	m³	0,26	0,26	0,26	0,32	0,32	0,32	0,18	0,18	0,18	0,28	0,28	0,28	0,23	0,23	0,23	0,37	0,37	0,37
- struck flach * SAE Standard	m³	0,18	0,18	0,18	0,12	0,12	0,12	-	-	-	0,28	0,28	0,28	0,16	0,16	0,16	0,34	0,34	0,34
Operational weight with shovel without operator	kg	360		360		380		490		490		560		540					
Eigengewicht mit Schaufel ohne Bediener	kg	360		360		380		490		490		560		540					
Max payload undercarriage	kg	500		500		500		800		800		850		850					
Max Nutzlast Unterwagen	kg	500		500		500		800		800		850		850					
Engine type - Air cooling		Petrol Benzin		Petrol Benzin		Diesel Benzin		Petrol Benzin		Diesel Benzin		Diesel Benzin		Petrol Benzin					
Motot typ - Luft Kühlung		Briggs & Stratton 750		Honda GX200		Yanmar L70N6		Honda GX270		Yanmar L100N6		Honda GX390							
Max. Power	cv/kW	5.5/4		4.8/6.5		6.6/4.9		9/6.6		10/7.4		13/9.6							
Max. Leistung	PS/kW	5.5/4		4.8/6.5		6.6/4.9		9/6.6		10/7.4		13/9.6							
Cylinder/Displacement	n/m³	1/163		1/196		1/320		1/270		1/406		1/389							
Hydraulic system:		2x12.5 lt/min@190 bar		2x12.5 lt/min@190 bar		2x12.5 lt/min@190 bar		2x20.5 lt/min@175 bar		2x20.5 lt/min@175 bar		2x20.5 lt/min@175 bar							
3 Gears pumps		1x14 lt/min@135 bar		1x14 lt/min@135 bar		1x19 lt/min@135 bar		1x20 lt/min@150 bar		1x20 lt/min@150 bar		1x20 lt/min@150 bar							
Hydraulischesystem:		1x14 lt/min@135 bar		1x14 lt/min@135 bar		1x19 lt/min@135 bar		1x20 lt/min@150 bar		1x20 lt/min@150 bar		1x20 lt/min@150 bar							
3 Zahnradpumpe		135 bar		135 bar		135 bar		150 bar		150 bar		150 bar							
N. 2 speeds I/II	Km/h	0-1.8/0-3.9		0-1.8/0-3.9		0-1.6/0-5.2		0-2.1/0-4.2		0-2.1/0-4.2		0-2.1/0-4.2							
N. 2 Fahrgeschwindigkeiten I/II	Km/h	0-1.8/0-3.9		0-1.8/0-3.9		0-1.6/0-5.2		0-2.1/0-4.2		0-2.1/0-4.2		0-2.1/0-4.2							
Specific ground pressure: empty/loaded	kg/cm²	0.118/0.254		0.118/0.254		0.151/0.240		0.166/0.335		0.190/0.360		0.181/0.350							
Bodendruck: im Leerzustand/baladen	kg/cm²	0.118/0.254		0.118/0.254		0.151/0.240		0.166/0.335		0.190/0.360		0.190/0.360							
Max.gradient capability with operational loading	%	30		30		30		30		30		30							
Max. befahrbare Steigung mit Betriebslast	%	30		30		30		30		30		30							
Fuel tank capacity	lt	3,6		3,6		3,3		6		5,5		6,5							
Kraftstofftank	lt	3,6		3,6		3,3		6		5,5		6,5							
Hydraulic oil tank capacity	lt	18		18		18		22		30		30							
Hydraulölköltank	lt	18		18		18		22		30		30							

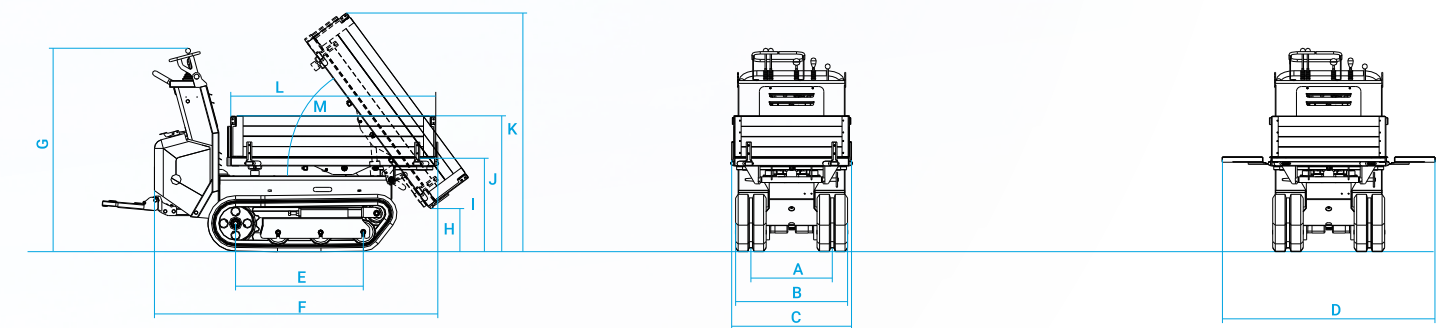
overall dimensions in mm abmessungen mm



AV	A	B	C	D	E	F	G	H	I	J
TC50	660	1616	1555	753	1249	2671	1423	345	46°	78°
TC50d	660	1616	1555	753	1249	2671	1423	345	46°	78°
TC85d	790	1762	1701	753	1249	2671	1423	345	46°	78°



MT - MTP	A	B	C	D	E	F	G	H	I	J	K	L	M	N	O	P
TC45	700	660	480	842	1631	1600	497	41	967	1153	73	753	432	325	45°	76°
TC50	700	660	480	842	1631	1600	497	41	967	1153	73	753	432	325	45°	76°
TC50d	700	660	480	842	1631	1600	497	41	967	1153	73	753	432	325	45°	76°
TC80	830	790	610	842	1633	1746	496	41	967	1152	75	753	432	325	45°	76°
TC85d	830	790	610	842	1633	1746	496	41	967	1152	75	753	432	325	45°	76°
TC85	830	790	610	842	1633	1746	496	41	967	1152	75	753	432	325	45°	76°



CA	A	B	C	D	E	F	G	H	I	J	K	L	M
TC45	480	660	707	1254	753	1670	1180	225	550	800	1400	1210	53°
TC50	480	660	707	1254	753	1670	1180	225	550	800	1400	1210	53°
TC50d	480	660	707	1254	753	1670	1180	225	550	800	1400	1210	53°
TC80	610	790	840	1390	753	1720	1180	225	550	800	1400	1230	53°
TC85d	610	790	840	1390	753	1720	1180	225	550	800	1400	1230	53°
TC85	610	790	840	1390	753	1720	1180	225	550	800	1400	1230	53°

Data, features and pictures are not binding and may be altered without any prior notice. Änderungen ohne Ankündigung vorbehalten, Angaben ohne Gewähr.